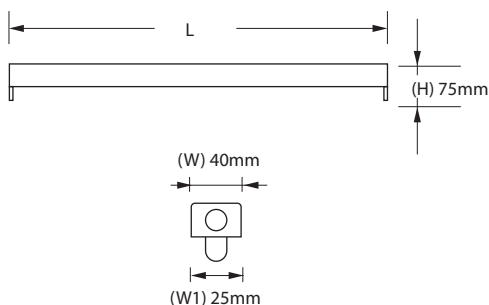




Vegas TLED-1L



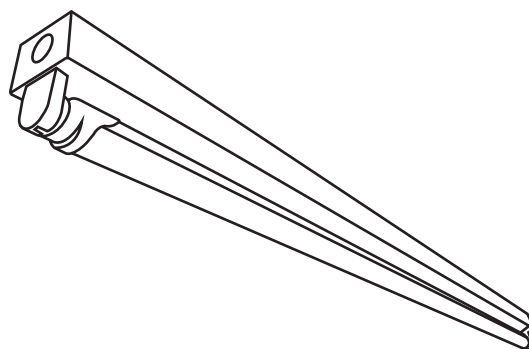
DIMENSIONS



INTENDED USE

This generation of linear direct fluorescent bare channel or batten fitting gives a new compact, low-profile design offering our customers unique product design which improve the overall installation process and appearance while reducing cost. Making it the most versatile solution for commercial, retail, manufacturing, warehouse and cove and display applications. Designed to accommodate a wide variety of T8 lamp length.

LINE DRAWING



VEGAS 1 TLED

Product Code	Model Code	Description	L(mm)
VE120T8-M5	VE120T8-M5	HI-BEAM VEGAS 1XTLED BARE CHANNEL METAL AND FITTING (NO STARTER HOLE)	610
VE140T8-M5	VE140T8-M5	HI-BEAM VEGAS 1XTLED BARE CHANNEL METAL AND FITTING (NO STARTER HOLE)	1230

* refer to T8LED tube catalogue for wattage & lumens