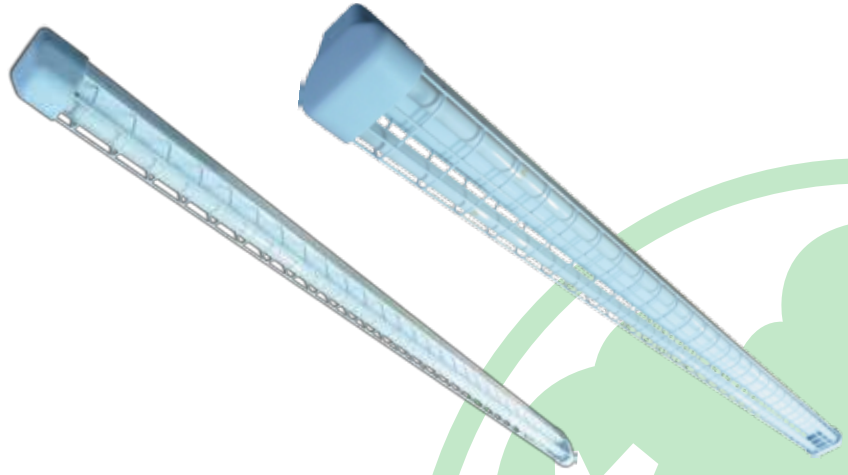


Vegas Wireguard



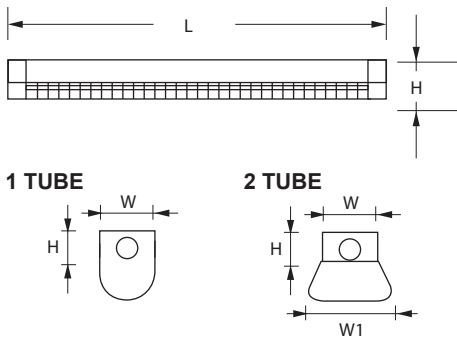
INTENDED USE

This generation of linear direct fluorescent bare channel or batten fitting gives a new compact, low-profile design offering our customers unique product design which improve the overall installation process and appearance while reducing cost. Making it the most versatile solution for commercial, retail, manufacturing, warehouse, and cove and display applications. Designed to accommodate a wide variety of T5, T5HO lamp length.

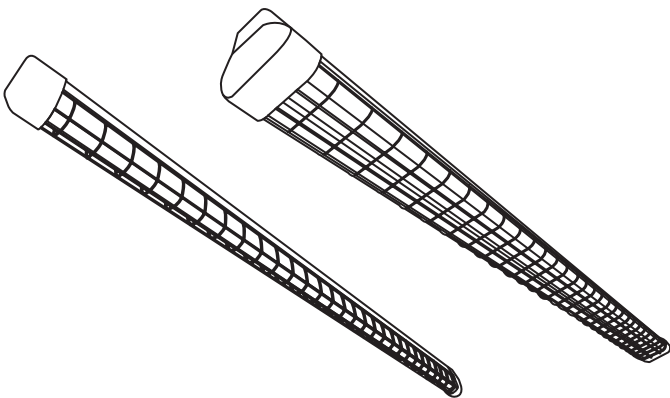
CONSTRUCTION AND OPTICS

Compact designed channel and cover are formed from high quality cold-rolled steel. Locking cover tracks bolsters strength of the overall fitting construction. High-gloss, baked white enamel finish. Wireguard with end caps.

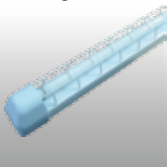
DIMENSIONS



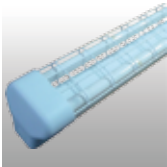
LINE DRAWING



Wire Guard single tube



Wire Guard double tube



DIMENSION OF FITTING

1 TUBE

Watt W	L mm	W mm	W1 mm	H mm	H1 mm
1X14W	590	40	35	30	70
1X28W	1190	40	35	30	70
1X54W	1190	40	35	30	70

2 TUBE

Watt W	L mm	W mm	W1 mm	H mm	H1 mm
2X14W	590	40	70	30	70
2X28W	1190	40	70	30	70
2X54W	1190	40	70	30	70

VEGAS WIREGUARD T5

Product Code	Model Code	Description	Description
VEEC114 / 128T5	VEW114 / 128	HI-BEAM VEGAS 1X14W / 28W T5 ROUND SINGLE END CAP	ONLY
VEEC214 / 228T5	VEW214 / 228	HI-BEAM VEGAS 2X14W / 28W T5 ROUND DOUBLE END CAP	ONLY
VEWO114T5	VEW114	HI-BEAM VEGAS 114T5 WIRE GUARD ONLY	
VEWO128T5	VEW128	HI-BEAM VEGAS 128T5 WIRE GUARD ONLY	
VEWO228T5	VEW228	HI-BEAM VEGAS 228T5 WIRE GUARD ONLY	