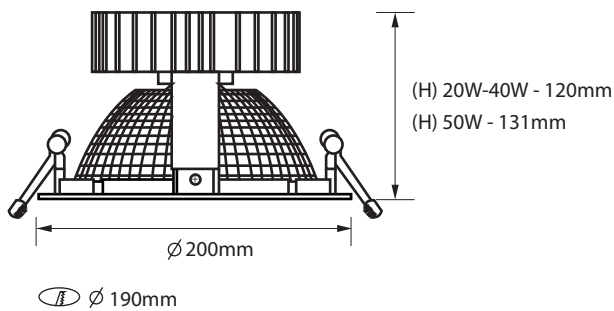




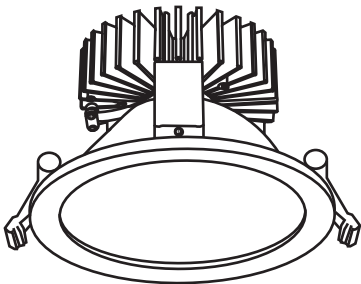
Recess RDL D3-2002



DIMENSIONS



LINE DRAWING



INTENDED USE

Hi-BEAM RRD3-2002 LED round recess downlight come with honeycomb anodized aluminum reflector. It help reduce glare and deliver excellent led performance for applications such as office, hall, shopping mall, classroom, library or hotel to replace conventional CDMT downlight.

CONSTRUCTION AND OPTICS

Diecasting aluminum housing and black heatsink finished with honeycomb anodized reflector and clear tempered glass diffuser, housing color white. Available with Philips driver with lifecycle lifespan of 50,000 hours. Color temperature available in 3000K, 3500K, 4000K and 5700K.

DIMENSION OF FITTING

Product Code	Model Code	Beam Angle	Wattage	Lumens	Color Temperature
RRD32002B2520	RRD3200220	25°/50°	20W	2100lm	3000K,3500K,4000K,5700K
RRD32002B2526-30	RRD3200226	25°/50°	26W	2700lm	3000K
RRD32002B2526	RRD3200226	25°/50°	26W	2800lm	3500K,4000K,5700K
RRD32002B2541-30	RRD3200241	25°/50°	41W	4020lm	3000K
RRD32002B2541	RRD3200241	25°/50°	41W	4120lm	3500K,4000K,5700K
RRD32002B2552-30	RRD3200252	25°/50°	52W	5200lm	3000K
RRD32002B2552	RRD3200252	25°/50°	52W	5800lm	3500K,4000K,5700K

**Please refer to driver data sheet for the circuit looping details for the MCB / Circuit Breaker you use for your installation.

PHILIPS

Specifications and dimension subject to change without notice



HBL[®]
HI-BEAM™ Lighting