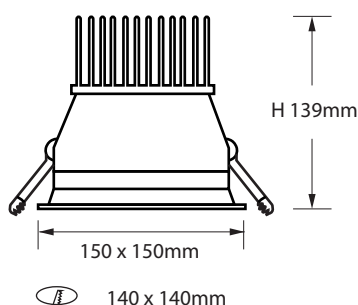




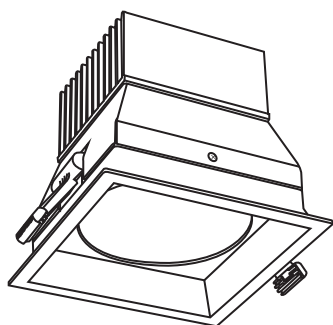
Recess SDL D3-5002



DIMENSIONS



LINE DRAWING



DIMENSION OF FITTING

Product Code	Model Code	Beam Angle	Wattage	Lumens	Color Temperature
RSD35002B3020	RSD3500220	30°/50'	20W	2100lm	3000K,3500K,4000K,5700K
RSD35002B3026-30	RSD3500226	30°/50'	26W	2700lm	3000K
RSD35002B3026	RSD3500226	30°/50'	26W	2800lm	3500K,4000K,5700K
RSD35002B3041-30	RSD3500241	30°/50'	41W	4020lm	3000K
RSD35002B3041	RSD3500241	30°/50'	41W	4120lm	3500K,4000K,5700K
RSD35002B3052-30	RSD3500252	30°/50'	52W	5200lm	3000K
RSD35002B3052	RSD3500252	30°/50'	52W	5800lm	3500K,4000K,5700K

**Please refer to driver data sheet for the circuit looping details for the MCB / Circuit Breaker you use for your installation.

INTENDED USE

Hi-BEAM RSDL D3-5002 LED square recess downlight come with honeycomb anodized aluminum reflector. It help reduce glare and deliver excellent led performance for applications such as office, hall, shopping mall, classroom, library or hotel to replace conventional CDMT downlight.

CONSTRUCTION AND OPTICS

Diecasting aluminum housing and black heatsink finished with honeycomb anodized reflector and clear tempered glass diffuser, housing color white. Available with Philips driver with lifecycle lifespan of 50,000 hours. Color temperature available in 3000K, 3500K, 4000K and 5700K.

PHILIPS

Specifications and dimension subject to change without notice



HBL[®]
HI-BEAM™ Lighting