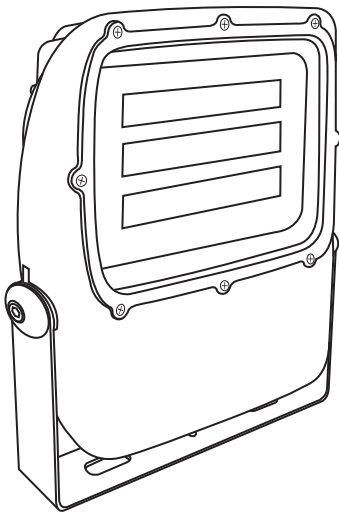




# Jupiter Floodlight (Gen4)



## LINE DRAWING



## INTENDED USE

The sleek and compact design of the Jupiter Floodlights is made possible with the embedment of high performance LED technology. They are ideal for landscape, signage, facade, industrial and general area lighting in many commercial and residential applications.

## CONSTRUCTION AND OPTICS

IP66 die cast aluminium finished with durable polyester epoxy power coating that provides superior resistance to corrosion and weathering. Fixed with anti glare tempered glass with high light transmission capability. Lifespan of 50,000 hours.

Slim Design



Powered by:



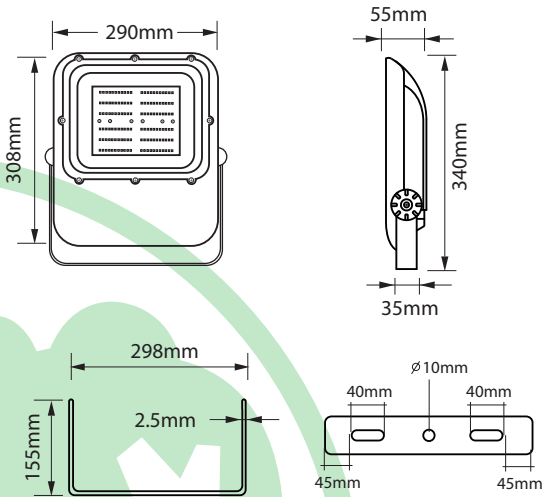
Specifications and dimension subject to change without notice



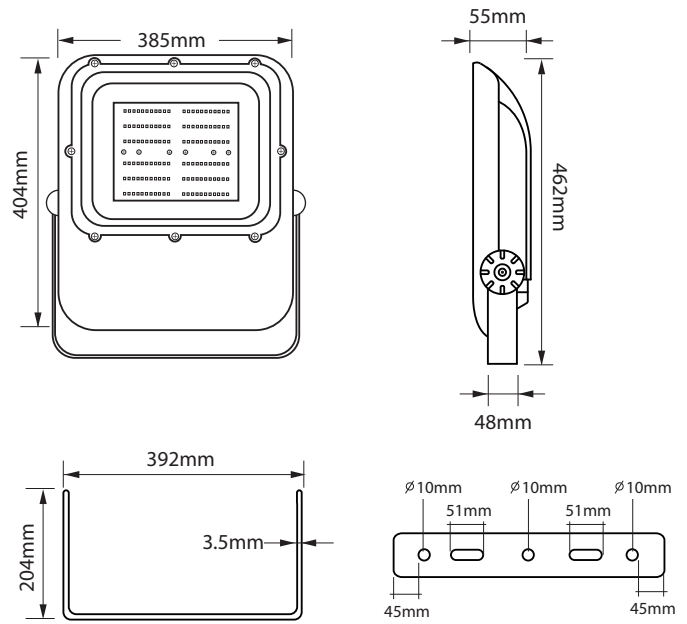
**HBL**<sup>®</sup>  
HI-BEAM™ Lighting

## DIMENSIONS (mm)

### JUPB



### JUPC



## PRODUCT SPECIFICATION

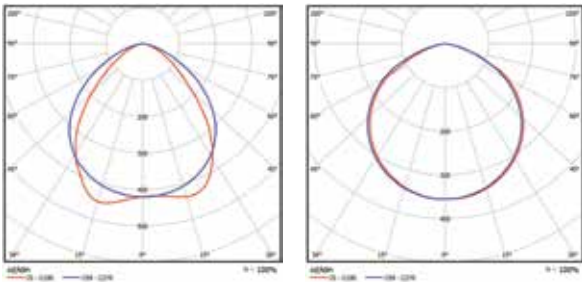
### JUPB

Model	Wattage	Lumens	Color Temperature	CRI	Weight kg	Replacement
JUPB48050	55W	8030lm	3000K, 4000K, 5700K	70	4	MH 70W / MH 150W
JUPB48075	78W	11400lm	3000K, 4000K, 5700K	70	4	MH 150W
JUPB48115	113W	16498lm	3000K, 4000K, 5700K	70	4	MH 150W / MH 250W
JUPB48150	150W	21900lm	3000K, 4000K, 5700K	70	4	MH 400W

### JUPC

Model	Wattage	Lumens	Color Temperature	CRI	Weight kg	Replacement
JUPC48200	201W	29346lm	3000K, 4000K, 5700K	70	8	MH 400W, MH 500W

Photometric :



ORDERING INFORMATION Lead times will vary based on options selected. Consult with your sales representative. Example: JUPB4805076BB

Type	Fitting Size	Board	Beam	Wattage	CRI	CCTK	Driver	Special Instruction	Housing Color
Jupiter (JUP)	A Small	4	8 120'	050 55w	7 70 8 80	3 3000K	A 1x75w	SP Surge Protector Device	B Black
	B 340mm (M)		Q 90'	075 78w		4 4000K	B 1x100w		
	C 462mm (L)		R 60'	115 113w		6 5700K	C 1x150w		
			O Oval	150 150w			D 1x250w		
			200 201w						