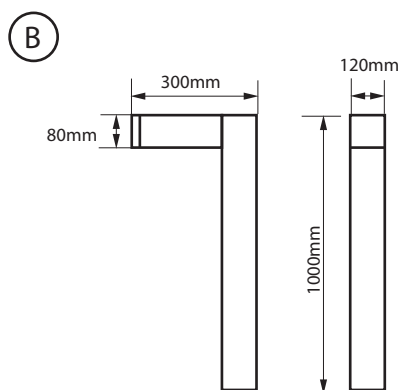
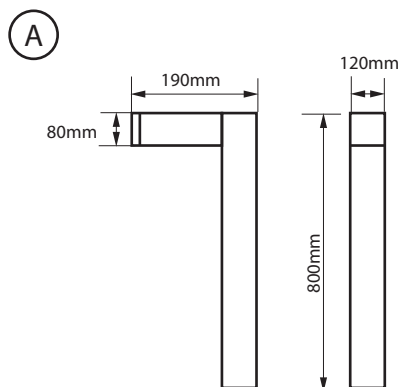




Bollard 101



DIMENSIONS



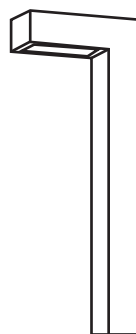
INTENDED USE

Bollard 101 provide the ultimate flexibility in lighting your garden as they can easily be repositioned when required to illuminate different scrubs and trees throughout the seasons.

CONSTRUCTION AND OPTICS

Die-cast aluminium housing. Impact resistance transparent safety tempered glass able to stand maximum temperature 250 °c. Coated with UV stabilized polyester powder. Weatherproof and durable gasket. All screw is in stainless steel. IP 65

LINE DRAWING



SPECIFICATION OF LUMINAIRE

Product Code	Model Code	Wattage	Lumens	Color Temperature	CRI
HB-BL-101	BL101-10	6W	480lm	2700K-6500K	>70