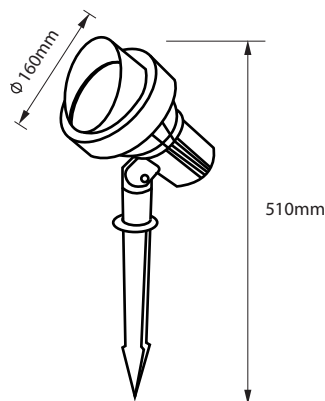




Luxtron Spike 5783



DIMENSIONS



INTENDED USE

Spike lights provide the ultimate flexibility in lighting your garden as they can easily be repositioned when required to illuminate different scrubs and trees throughout the seasons. Some of these are simply to install requiring you to just take them from the box and stick them in the ground.

CONSTRUCTION AND OPTICS

Body made of die casting aluminium with smooth and seamless face, powder coating with electrostatic method, transparent tempered glass diffuser, waterproof and durable silicone rubber gasket. Available with MR16 5W LED with external choke box.

SPECIFICATION OF LUMINAIRE

Model	Wattage
SPL5783	5W

LINE DRAWING

