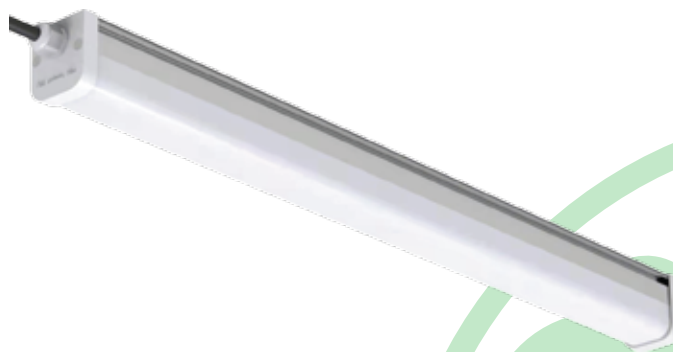
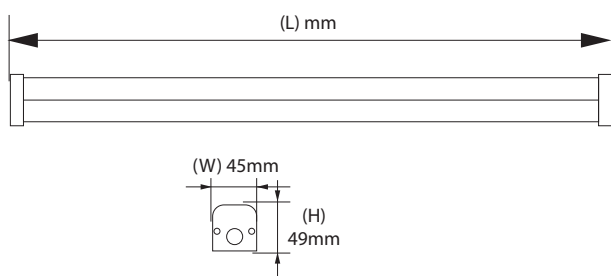




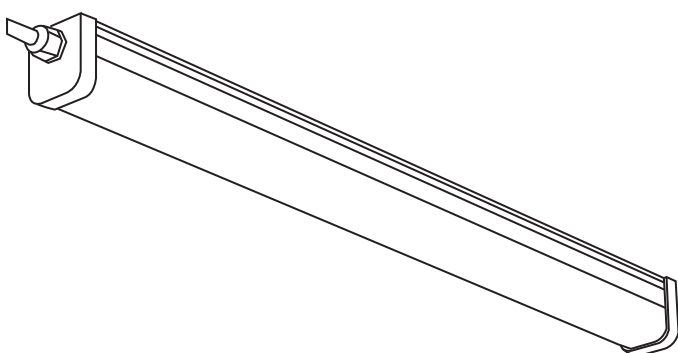
DUROLED SEM



DIMENSIONS



LINE DRAWING



INTENDED USE

DUROLED SEM is dust-proof and waterproof. High lighting effect, giving out even and soft light. High efficacy of 135LM/W with lifetime of up to 50,000 hours. High impact resistance, IK08. Ideal for moisture, wet and dusty environment, high pressure resistance, suitable for parking place, tunnel, corridor, gallery, railway / bus / MTR Station etc.

CONSTRUCTION AND OPTICS

Water proof, IP66 grade. Designed with aluminum housing with milky PC cover. Color temperature available in 3000K, 4000K and 6000K for option. Beam angle is 120°. Two installation modes for selection is ceiling holder and suspension rope. CRI >80.

Accessories



Specifications and dimension subject to change without notice

DIMENSION OF FITTING

Product Code	Model Code	Watt W	Lumens	Color Temperature	CRI	L (mm)	W (mm)	H (mm)	Weight (kg)
DULS2T20	DULS2T20	20W	2700lm	3000K,4000K,6000K	>80	600	45	49	0.52
DULS4T20	DULS4T20	20W	2700lm	3000K,4000K,6000K	>80	1200	45	49	0.92
DULS4T30	DULS4T30	30W	4050lm	3000K,4000K,6000K	>80	1200	45	49	0.97
DULS4T40	DULS4T40	40W	5400lm	3000K,4000K,6000K	>80	1200	45	49	0.97
DULS5T50	DULS5T50	50W	6750lm	3000K,4000K,6000K	>80	1500	45	49	1.11

ORDERING INFORMATION Lead times will vary based on options selected. Consult with your sales representative.
Example: DULS2T2048

Fixed Code	Size	Wattage	Color Temperature	CRI
DULS	2T 2 feet	20W 20W	3 3000K	8 >80
DUROLED	4T 4 feet	30W 30W	4 4000K	
SEM	5T 5 feet	40W 40W 50W 50W	6 6000K	