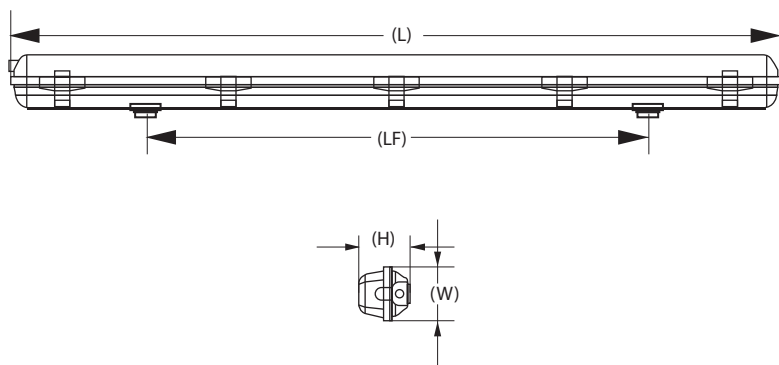




Duro LED T8



DIMENSIONS



DIMENSION OF FITTING

Model	Watt W	L mm	W mm	H mm	LF mm
DU120T8	1X20W	660	78	87	400
DU140T8	1X40W	1260	78	87	800
DU220T8	2X20W	660	128	87	400
DU240T8	2X40W	1260	128	87	800

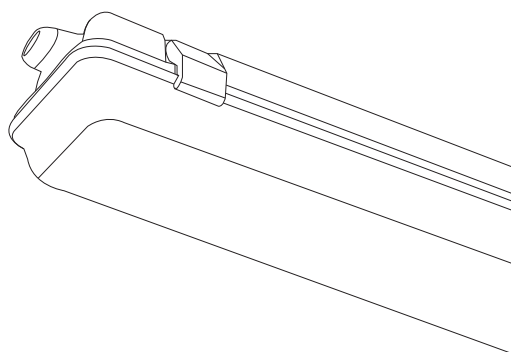
INTENDED USE

Duro LED T8 weatherproof is a high quality luminaire with a high system efficacy that delivers significant energy savings of up to 50% as compared to conventional T8 battens. With a reliable and robust housing structure, this maximizes the endurance and contributes to its long lifetime. Suitable to use in Industry such as automotive assembly line, food and beverage general areas, corridors / walkways, indoor car parks.

CONSTRUCTION AND OPTICS

IP66. For use where moisture or dust is prevalent. Designed with shallow and compact housing for ease of installation. The polycarbonate body and clear polycarbonate diffuser for maximum durability. All fixing clips are stainless steel as standard. With LED system efficacy of more than 90lm/w with lifetime of up to 50,000 hours for Pro range and up to 25,000 hours for Eco range with 70% lumen maintained.

LINE DRAWING



Stainless Steel Clips



Specifications and dimension subject to change without notice



HI-BEAM™
Lighting