

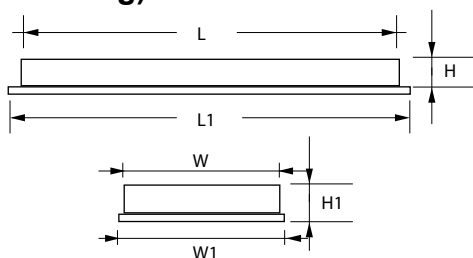


# Quinces-P T8

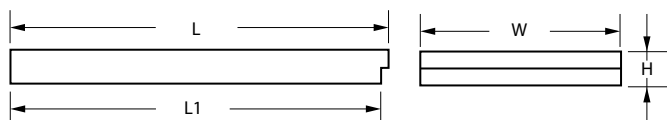


## DIMENSIONS

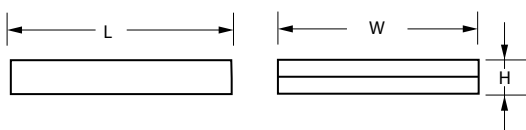
### (Wood Ceiling)



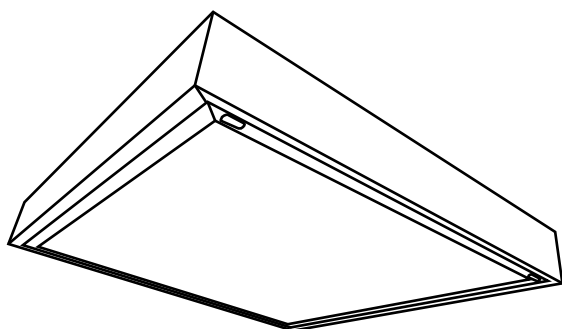
### (T-Bar)



### (Surface)



## LINE DRAWING



## INTENDED USE

Surface mount box fitting with diffuser. Best used to light task area in normal height ceiling like walk way, corridors where no suspended ceiling is available, thus mounting is required on concrete surface or slab.

## CONSTRUCTION AND OPTICS

Familiar industrial most widely used design for ease of installation by mounting to surface of concrete or slab. Come with latch system hinged diffuser frame enabling diffuser frame to hinge down and swing. Housing formed of high quality gauge sheet steel. Going through five-stage-iron-phosphate pre-treatment ensures superior paint adhesion and rust resistance. Housing painted after fabrication with environmentally friendly, high-gloss, very high reflectivity epoxy powder-coat. Option to have high reflectivity mirror reflector achieved with anodized aluminium efficiently directs light downward. Available with clear or opal acrylic diffuser or prismatic diffuser to provide even light distribution glare control and maximum light transmission, combined with a very low luminosity at angle approaching the horizontal surface. It is designed to minimize glare and maximize light output and visual comfort together with a good degree of protection.

## DIMENSION OF FITTING

### Wood Ceiling / Hinged Diffuser (2 TUBE)

Model	L mm	L1 mm	W mm	W1 mm	H mm	H1 mm
QUSPWS2HOP220T8	615	635	295	335	78	87
QUSPWS2HCA220T8	615	635	295	335	78	87
QUSPWS2HAP220T8	615	635	295	335	78	87
QUSPWS2HPP220T8	615	635	295	335	78	87
QUSPWS4HOP240T8	1222	1245	295	335	78	87
QUSPWS4HCA240T8	1222	1245	295	335	78	87
QUSPWS4HAP240T8	1222	1245	295	335	78	87
QUSPWS4HPP240T8	1222	1245	295	335	78	87
QUSPWN2HOP220T8	615	635	600	640	78	87
QUSPWN2HCA220T8	615	635	600	640	78	87
QUSPWN2HAP220T8	615	635	600	640	78	87
QUSPWN2HPP220T8	615	635	600	640	78	87
QUSPWN4HOP240T8	1222	1245	600	640	78	87
QUSPWN4HCA240T8	1222	1245	600	640	78	87
QUSPWN4HAP240T8	1222	1245	600	640	78	87
QUSPWN4HPP240T8	1222	1245	600	640	78	87

\* refer to T8LED tube catalogue for wattage & lumens

### Wood Ceiling / Hinged Diffuser (3 TUBE)

Model	L mm	L1 mm	W mm	W1 mm	H mm	H1 mm
QUSPWN2HOP320T8	615	635	600	640	78	87
QUSPWN2HCA320T8	615	635	600	640	78	87
QUSPWN2HAP320T8	615	635	600	640	78	87
QUSPWN2HPP320T8	615	635	600	640	78	87
QUSPWN4HOP340T8	1222	1245	600	640	78	87
QUSPWN4HCA340T8	1222	1245	600	640	78	87
QUSPWN4HAP340T8	1222	1245	600	640	78	87
QUSPWN4HPP340T8	1222	1245	600	640	78	87

\* refer to T8LED tube catalogue for wattage & lumens

### Wood Ceiling / Hinged Diffuser (4 TUBE)

Model	L mm	L1 mm	W mm	W1 mm	H mm	H1 mm
QUSPWN2HOP420T8	615	635	600	640	78	87
QUSPWN2HCA420T8	615	635	600	640	78	87
QUSPWN2HAP420T8	615	635	600	640	78	87
QUSPWN2HPP420T8	615	635	600	640	78	87
QUSPWN4HOP440T8	1222	1245	600	640	78	87
QUSPWN4HCA440T8	1222	1245	600	640	78	87
QUSPWN4HAP440T8	1222	1245	600	640	78	87
QUSPWN4HPP440T8	1222	1245	600	640	78	87

\* refer to T8LED tube catalogue for wattage & lumens

### Wood Ceiling / Slot Diffuser (2 TUBE)

Model	L mm	L1 mm	W mm	W1 mm	H mm	H1 mm
QUSPWS2SOP220T8	615	635	295	335	78	87
QUSPWS2SCA220T8	615	635	295	335	78	87
QUSPWS2SAP220T8	615	635	295	335	78	87
QUSPWS2SPP220T8	615	635	295	335	78	87
QUSPWS4SOP240T8	1222	1245	295	335	78	87
QUSPWS4SCA240T8	1222	1245	295	335	78	87
QUSPWS4SAP240T8	1222	1245	295	335	78	87
QUSPWS4SPP240T8	1222	1245	295	335	78	87
QUSPWN2SOP220T8	615	635	600	640	78	87
QUSPWN2SCA220T8	615	635	600	640	78	87
QUSPWN2SAP220T8	615	635	600	640	78	87
QUSPWN2SPP220T8	615	635	600	640	78	87
QUSPWN4SOP240T8	1222	1245	600	640	78	87
QUSPWN4SCA240T8	1222	1245	600	640	78	87
QUSPWN4SAP240T8	1222	1245	600	640	78	87
QUSPWN4SPP240T8	1222	1245	600	640	78	87

\* refer to T8LED tube catalogue for wattage & lumens

### Wood Ceiling / Slot Diffuser (3 TUBE)

Model	L mm	L1 mm	W mm	W1 mm	H mm	H1 mm
QUSPWN2SOP320T8	615	635	600	640	78	87
QUSPWN2SCA320T8	615	635	600	640	78	87
QUSPWN2SAP320T8	615	635	600	640	78	87
QUSPWN2SPP320T8	615	635	600	640	78	87
QUSPWN4SOP340T8	1222	1245	600	640	78	87
QUSPWN4SCA340T8	1222	1245	600	640	78	87
QUSPWN4SAP340T8	1222	1245	600	640	78	87
QUSPWN4SPP340T8	1222	1245	600	640	78	87

\* refer to T8LED tube catalogue for wattage & lumens

### Wood Ceiling / Slot Diffuser (4 TUBE)

Model	L mm	L1 mm	W mm	W1 mm	H mm	H1 mm
QUSPWN2SOP420T8	615	635	600	640	78	87
QUSPWN2SCA420T8	615	635	600	640	78	87
QUSPWN2SAP420T8	615	635	600	640	78	87
QUSPWN2SPP420T8	615	635	600	640	78	87
QUSPWN4SOP440T8	1222	1245	600	640	78	87
QUSPWN4SCA440T8	1222	1245	600	640	78	87
QUSPWN4SAP440T8	1222	1245	600	640	78	87
QUSPWN4SPP440T8	1222	1245	600	640	78	87

\* refer to T8LED tube catalogue for wattage & lumens

**ORDERING INFORMATION** Lead times will vary based on options selected. Consult with your sales representative.  
Example: QUSPWN2HOP220T8

Type	Installation Type	Size	Design	Diffuser Mech	Diffuser Type
Quinness (QUSP)	W Wood Ceiling	I Imperial	S2 Slim (1' x 2')	H Hinged	OP Opal
	T T-Bar	M Metric	S4 Slim (1' x 4')	S Slot	CA Clear Acrylic
	S Surface		N2 Normal (2' x 2')		AP AA Prismatic
			N4 Normal (2' x 4')		PP PS Prismatic



## DIMENSION OF FITTING

### T-Bar / Imperial / Hinged Diffuser (2 TUBE)

Model	L mm	L1 mm	W mm	H mm
QUSPTIS2HOP220T8	612	600	298	85
QUSPTIS2HCA220T8	612	600	298	85
QUSPTIS2HAP220T8	612	600	298	85
QUSPTIS2HPP220T8	612	600	298	85
QUSPTIS4HOP240T8	1222	1210	298	85
QUSPTIS4HCA240T8	1222	1210	298	85
QUSPTIS4HAP240T8	1222	1210	298	85
QUSPTIS4HPP240T8	1222	1210	298	85
QUSPTIN2HOP220T8	612	600	605	85
QUSPTIN2HCA220T8	612	600	605	85
QUSPTIN2HAP220T8	612	600	605	85
QUSPTIN2HPP220T8	612	600	605	85
QUSPTIN4HOP240T8	1222	1210	605	85
QUSPTIN4HCA240T8	1222	1210	605	85
QUSPTIN4HAP240T8	1222	1210	605	85
QUSPTIN4HPP240T8	1222	1210	605	85

\* refer to T8LED tube catalogue for wattage & lumens

### T-Bar / Imperial / Hinged Diffuser (3 TUBE)

Model	L mm	L1 mm	W mm	H mm
QUSPTIN2HOP320T8	612	600	605	85
QUSPTIN2HCA320T8	612	600	605	85
QUSPTIN2HAP320T8	612	600	605	85
QUSPTIN2HPP320T8	612	600	605	85
QUSPTIN4HOP340T8	1222	1210	605	85
QUSPTIN4HCA340T8	1222	1210	605	85
QUSPTIN4HAP340T8	1222	1210	605	85
QUSPTIN4HPP340T8	1222	1210	605	85

\* refer to T8LED tube catalogue for wattage & lumens

### T-Bar / Imperial / Hinged Diffuser (4 TUBE)

Model	L mm	L1 mm	W mm	H mm
QUSPTIN2HOP420T8	612	600	605	85
QUSPTIN2HCA420T8	612	600	605	85
QUSPTIN2HAP420T8	612	600	605	85
QUSPTIN2HPP420T8	612	600	605	85
QUSPTIN4HOP440T8	1222	1210	605	85
QUSPTIN4HCA440T8	1222	1210	605	85
QUSPTIN4HAP440T8	1222	1210	605	85
QUSPTIN4HPP440T8	1222	1210	605	85

\* refer to T8LED tube catalogue for wattage & lumens

### T-Bar / Metric / Slot Diffuser (2 TUBE)

Model	L mm	L1 mm	W mm	H mm
QUSPTMS2SOP220T8	612	585	295	85
QUSPTMS2SCA220T8	612	585	295	85
QUSPTMS2SAP220T8	612	585	295	85
QUSPTMS2SPP220T8	612	585	295	85
QUSPTMS4SOP240T8	1222	1195	295	85
QUSPTMS4SCA240T8	1222	1195	295	85
QUSPTMS4SAP240T8	1222	1195	295	85
QUSPTMS4SPP240T8	1222	1195	295	85
QUSPTMN2SOP220T8	612	585	595	85
QUSPTMN2SCA220T8	612	585	595	85
QUSPTMN2SAP220T8	612	585	595	85
QUSPTMN2SPP220T8	612	585	595	85
QUSPTMN4SOP240T8	1222	1195	595	85
QUSPTMN4SCA240T8	1222	1195	595	85
QUSPTMN4SAP240T8	1222	1195	595	85
QUSPTMN4SPP240T8	1222	1195	595	85

\* refer to T8LED tube catalogue for wattage & lumens

### T-Bar / Metric / Slot Diffuser (3 TUBE)

Model	L mm	L1 mm	W mm	H mm
QUSPTMN2SOP320T8	612	585	595	85
QUSPTMN2SCA320T8	612	585	595	85
QUSPTMN2SAP320T8	612	585	595	85
QUSPTMN2SPP320T8	612	585	595	85
QUSPTMN4SOP340T8	1222	1195	595	85
QUSPTMN4SCA340T8	1222	1195	595	85
QUSPTMN4SAP340T8	1222	1195	595	85
QUSPTMN4SPP340T8	1222	1195	595	85

\* refer to T8LED tube catalogue for wattage & lumens

### T-Bar / Metric / Slot Diffuser (4 TUBE)

Model	L mm	L1 mm	W mm	H mm
QUSPTMN2SOP420T8	612	585	595	85
QUSPTMN2SCA420T8	612	585	595	85
QUSPTMN2SAP420T8	612	585	595	85
QUSPTMN2SPP420T8	612	585	595	85
QUSPTMN4SOP440T8	1222	1195	595	85
QUSPTMN4SCA440T8	1222	1195	595	85
QUSPTMN4SAP440T8	1222	1195	595	85
QUSPTMN4SPP440T8	1222	1195	595	85

\* refer to T8LED tube catalogue for wattage & lumens

**ORDERING INFORMATION** Lead times will vary based on options selected. Consult with your sales representative.  
Example: QUSPTIN2HOP220T8

Type	Installation Type	Size	Design	Diffuser Mech	Diffuser Type
QuinCESS (QUSP)	W Wood Ceiling	I Imperial	S2 Slim (1' x 2')	H Hinged	OP Opal
	T T-Bar	M Metric	S4 Slim (1' x 4')	S Slot	CA Clear Acrylic
	S Surface		N2 Normal (2' x 2')		AP AA Prismatic
				N4 Normal (2' x 4')	PP PS Prismatic



**HBL**<sup>®</sup>  
HI-BEAM™ Lighting

Specifications and dimension subject to change without notice

## DIMENSION OF FITTING

### Surface / Hinged Diffuser (2 TUBE)

Model	L mm	W mm	H mm
QUSPSS2HOP220T8	612	298	85
QUSPSS2HCA220T8	612	298	85
QUSPSS2HAP220T8	612	298	85
QUSPSS2HPP220T8	612	298	85
QUSPSS4HOP240T8	1222	298	85
QUSPSS4HCA240T8	1222	298	85
QUSPSS4HAP240T8	1222	298	85
QUSPSS4HPP240T8	1222	298	85
QUSPSN2HOP220T8	612	603	85
QUSPSN2HCA220T8	612	603	85
QUSPSN2HAP220T8	612	603	85
QUSPSN2HPP220T8	612	603	85
QUSPSN4HOP240T8	1222	603	85
QUSPSN4HCA240T8	1222	603	85
QUSPSN4HAP240T8	1222	603	85
QUSPSN4HPP240T8	1222	603	85

\* refer to T8LED tube catalogue for wattage & lumens

### Surface / Hinged Diffuser (3 TUBE)

Model	L mm	W mm	H mm
QUSPSN2HOP320T8	612	603	85
QUSPSN2HCA320T8	612	603	85
QUSPSN2HAP320T8	612	603	85
QUSPSN2HPP320T8	612	603	85
QUSPSN4HOP340T8	1222	603	85
QUSPSN4HCA340T8	1222	603	85
QUSPSN4HAP340T8	1222	603	85
QUSPSN4HPP340T8	1222	603	85

\* refer to T8LED tube catalogue for wattage & lumens

### Surface / Hinged Diffuser (4 TUBE)

Model	L mm	W mm	H mm
QUSPSN2HOP420T8	612	603	85
QUSPSN2HCA420T8	612	603	85
QUSPSN2HAP420T8	612	603	85
QUSPSN2HPP420T8	612	603	85
QUSPSN4HOP440T8	1222	603	85
QUSPSN4HCA440T8	1222	603	85
QUSPSN4HAP440T8	1222	603	85
QUSPSN4HPP440T8	1222	603	85

\* refer to T8LED tube catalogue for wattage & lumens

### Surface / Slot Diffuser (2 TUBE)

Model	L mm	W mm	H mm
QUSPSS2SOP220T8	612	298	85
QUSPSS2SCA220T8	612	298	85
QUSPSS2SAP220T8	612	298	85
QUSPSS2SPP220T8	612	298	85
QUSPSS4SOP240T8	1222	298	85
QUSPSS4SCA240T8	1222	298	85
QUSPSS4SAP240T8	1222	298	85
QUSPSS4SPP240T8	1222	298	85
QUSPSN2SOP220T8	612	603	85
QUSPSN2SCA220T8	612	603	85
QUSPSN2SAP220T8	612	603	85
QUSPSN2SPP220T8	612	603	85
QUSPSN4SOP240T8	1222	603	85
QUSPSN4SCA240T8	1222	603	85
QUSPSN4SAP240T8	1222	603	85
QUSPSN4SPP240T8	1222	603	85

\* refer to T8LED tube catalogue for wattage & lumens

### Surface / Slot Diffuser (3 TUBE)

Model	L mm	W mm	H mm
QUSPSN2SOP320T8	612	603	85
QUSPSN2SCA320T8	612	603	85
QUSPSN2SAP320T8	612	603	85
QUSPSN2SPP320T8	612	603	85
QUSPSN4SOP340T8	1222	603	85
QUSPSN4SCA340T8	1222	603	85
QUSPSN4SAP340T8	1222	603	85
QUSPSN4SPP340T8	1222	603	85

\* refer to T8LED tube catalogue for wattage & lumens

### Surface / Slot Diffuser (4 TUBE)

Model	L mm	W mm	H mm
QUSPSN2SOP420T8	612	603	85
QUSPSN2SCA420T8	612	603	85
QUSPSN2SAP420T8	612	603	85
QUSPSN2SPP420T8	612	603	85
QUSPSN4SOP440T8	1222	603	85
QUSPSN4SCA440T8	1222	603	85
QUSPSN4SAP440T8	1222	603	85
QUSPSN4SPP440T8	1222	603	85

\* refer to T8LED tube catalogue for wattage & lumens

**ORDERING INFORMATION** Lead times will vary based on options selected. Consult with your sales representative.  
Example: QUSPSN2HOP220T8

Type	Installation Type	Size	Design	Diffuser Mech	Diffuser Type
QuinCESS (QUSP)	W Wood Ceiling	I Imperial	S2 Slim (1' x 2')	H Hinged	OP Opal
	T T-Bar	M Metric	S4 Slim (1' x 4')	S Slot	CA Clear Acrylic
	S Surface		N2 Normal (2' x 2')		N4 Normal (2' x 4')



Specifications and dimension subject to change without notice