

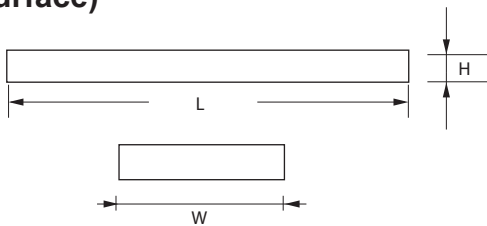


QuinCESS Ultra Slim

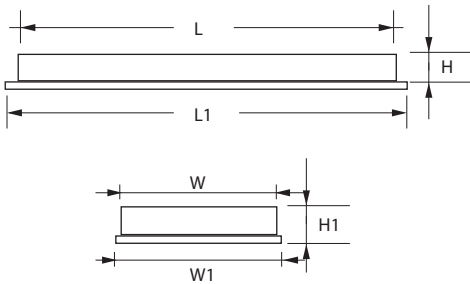


DIMENSIONS

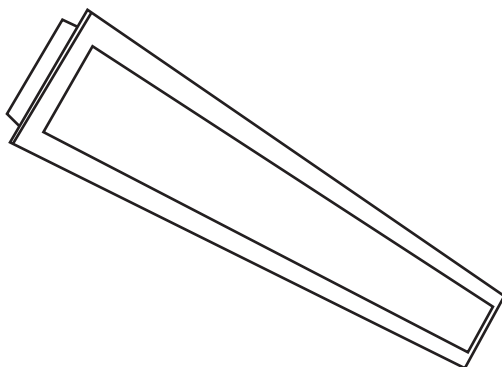
(Surface)



(Wood Ceiling)



LINE DRAWING



INTENDED USE

QuinCESS Ultra Slim series provides an economical energy saving 1 tubes and 2 tubes T5 or T5 high output top mirror recess fixtures. Ideal for retail, educational and commercial applications.

CONSTRUCTION AND OPTICS

Familiar industrial most widely used design for ease of installation by mounting to surface of concrete or slab. Come with latch system hinged diffuser frame enabling diffuser frame to hinge down and swing. Housing formed of high quality gauge sheet steel. Going through five-stage-iron-phosphate pre-treatment ensures superior paint adhesion and rust resistance. Housing painted after fabrication with environmentally friendly, high-gloss, very high reflectivity epoxy powder-coat. Option to have high reflectivity mirror reflector achieved with anodized aluminium efficiently directs light downward. Available with clear or opal acrylic diffuser or prismatic diffuser to provide even light distribution glare control and maximum light transmission, combined with a very low luminosity at angle approaching the horizontal surface. It is designed to minimize glare and maximize light output and visual comfort together with a good degree of protection.

DIMENSION OF FITTING

Surface (1 TUBE)

Product Code	Model Code	Watt	L mm	W mm	H mm
QUSPUS10SHP114	QUSPUS114	1x14W	595	138	50
QUSPUS10SHO114	QUSPUS114	1x14W	595	138	50
QUSPUS10SHL114	QUSPUS114	1x14W	595	138	50
QUSPUS10SHR114	QUSPUS114	1x14W	595	138	50
QUSPUS22SHP128	QUSPUS128	1x28W	1195	138	50
QUSPUS22SHO128	QUSPUS128	1x28W	1195	138	50
QUSPUS22SHL128	QUSPUS128	1x28W	1195	138	50
QUSPUS22SHR128	QUSPUS128	1x28W	1195	138	50
QUSPUS22SHP154	QUSPUS154	1x54W	1195	138	50
QUSPUS22SHO154	QUSPUS154	1x54W	1195	138	50
QUSPUS22SHL154	QUSPUS154	1x54W	1195	138	50
QUSPUS22SHR154	QUSPUS154	1x54W	1195	138	50

Surface (2 TUBE)

Product Code	Model Code	Watt	L mm	W mm	H mm
QUSPUS10SHP214	QUSPUS214	2x14W	595	138	50
QUSPUS10SHO214	QUSPUS214	2x14W	595	138	50
QUSPUS10SHL214	QUSPUS214	2x14W	595	138	50
QUSPUS10SHR214	QUSPUS214	2x14W	595	138	50
QUSPUS22SHP228	QUSPUS228	2x28W	1195	138	50
QUSPUS22SHO228	QUSPUS228	2x28W	1195	138	50
QUSPUS22SHL228	QUSPUS228	2x28W	1195	138	50
QUSPUS22SHR228	QUSPUS228	2x28W	1195	138	50
QUSPUS22SHP254	QUSPUS254	2x54W	1195	138	50
QUSPUS22SHO254	QUSPUS254	2x54W	1195	138	50
QUSPUS22SHL254	QUSPUS254	2x54W	1195	138	50
QUSPUS22SHR254	QUSPUS254	2x54W	1195	138	50

Wood Ceiling (1 TUBE)

Product Code	Model Code	Watt	L mm	L1 mm	W mm	W1 mm	H mm	H1 mm
QUSPUS10MHP114	QUSPUS114	1x14W	573	600	111	140	80	85
QUSPUS10MHL114	QUSPUS114	1x14W	573	600	111	140	80	85
QUSPUS10MHO114	QUSPUS114	1x14W	573	600	111	140	80	85
QUSPUS10MHR114	QUSPUS114	1x14W	573	600	111	140	80	85
QUSPUS22MHP128	QUSPUS128	1x28W	1173	1200	111	140	80	85
QUSPUS22MHO128	QUSPUS128	1x28W	1173	1200	111	140	80	85
QUSPUS22MHL128	QUSPUS128	1x28W	1173	1200	111	140	80	85
QUSPUS22MHR128	QUSPUS128	1x28W	1173	1200	111	140	80	85
QUSPUS22MHP154	QUSPUS154	1x54W	1173	1200	111	140	80	85
QUSPUS22MHO154	QUSPUS154	1x54W	1173	1200	111	140	80	85
QUSPUS22MHL154	QUSPUS154	1x54W	1173	1200	111	140	80	85
QUSPUS22MHR154	QUSPUS154	1x54W	1173	1200	111	140	80	85

Wood Ceiling (2 TUBE)

Product Code	Model Code	Watt	L mm	L1 mm	W mm	W1 mm	H mm	H1 mm
QUSPUS10MHP214	QUSPUS214	2x14W	573	600	111	140	80	85
QUSPUS10MHO214	QUSPUS214	2x14W	573	600	111	140	80	85
QUSPUS10MHL214	QUSPUS214	2x14W	573	600	111	140	80	85
QUSPUS10MHR214	QUSPUS214	2x14W	573	600	111	140	80	85
QUSPUS22MHP228	QUSPUS228	2x28W	1173	1200	111	140	80	85
QUSPUS22MHO228	QUSPUS228	2x28W	1173	1200	111	140	80	85
QUSPUS22MHL228	QUSPUS228	2x28W	1173	1200	111	140	80	85
QUSPUS22MHR228	QUSPUS228	2x28W	1173	1200	111	140	80	85
QUSPUS22MHP254	QUSPUS254	2x54W	1173	1200	111	140	80	85
QUSPUS22MHO254	QUSPUS254	2x54W	1173	1200	111	140	80	85
QUSPUS22MHL254	QUSPUS254	2x54W	1173	1200	111	140	80	85
QUSPUS22MHR254	QUSPUS254	2x54W	1173	1200	111	140	80	85

ORDERING INFORMATION Lead times will vary based on options selected. Consult with your sales representative.
Example: QUSPUS10SHP214

Type	Louver	Installation Type	Diffuser Mechanical	Diffuser Mechanical	Tubes
Quiness Ultra Slim (QUSPUS)	10 10 Louver	S Surface	H Hinged Door	P Prismatic O Opal L Shower/Lattice R Raindrop	1 1 Tubes
	22 22 Louver	M MM/WC			2 2 Tubes