



Luxtron STLA008



INTENDED USE

High efficacy of 115LM/W on luminaire level. Ideal for compound, parking areas, street lighting, walkways and car lots. To meet up to the standard of ME1.

CONSTRUCTION AND OPTICS

Ideally weight single-piece aluminum housing. LED module and driver are IP66 rated. Exterior parts are protected by a super durable powder coat finish that provides superior resistance to corrosion and weathering. High efficiency LED SMT circuit board and heat sink ensuring optimal thermal management and long life. Designed to provide 50,000 hours of performance. LED fixed with glass optics which are precisely designed to shape the distribution the distribution maximizing efficiency and spacing to meet the required road lighting standards in meeting the required values of Lm, Uo, UI, TI, SR while maintaining its durability and performance. Offered standard in color temperature of 3000K, 4000K, 5700K and 70 and 80 CRI. IP66 LED driver is installed inside the housing. Designed to protect up to 10kV of surge such as lightning strike.

Powered by:

PHILIPS

Specifications and dimension subject to change without notice



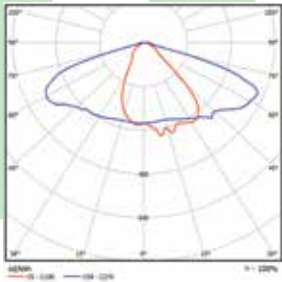
HBL[®]
HI-BEAM™ Lighting

SPECIFICATION OF LUMINAIRE

Model	Wattage	Lumens	Color Temperature	Replacement
STLA008090-30	72W	8300lm	3000K	150W HPSV
STLA008090-40	72W	9000lm	4000K	150W HPSV
STLA008120-30	110W	12450lm	3000K	150W HPSV
STLA008120-40	110W	13500lm	4000K	150W HPSV
STLA008150-30	144W	16600lm	3000K	250W HPSV
STLA008150-40	144W	18000lm	4000K	250W HPSV
STLA008180-30	180W	20750lm	3000K	250W HPSV
STLA008180-40	180W	22500lm	4000K	250W HPSV
STLA008210-30	216W	24900lm	3000K	250W HPSV
STLA008210-40	216W	27000lm	4000K	250W HPSV
STLA008240-30	252W	29050lm	3000K	400W HPSV
STLA008240-40	252W	31500lm	4000K	400W HPSV
STLA008290-30	288W	33200lm	3000K	400W HPSV
STLA008290-40	288W	36000lm	4000K	400W HPSV

Operating Temperature: -30C - 60C	
Classification	: Class 1 Power Supply
Protection	: External Surge Protection System up to 20kA
Compliance	
▪ LED	: LM80
▪ Driver	: CE, UL/CUL, CB,
▪ Luminaire	: LM79, IEC 60598-2-3:1997, IEC 60598-1-:2003

Photometric :



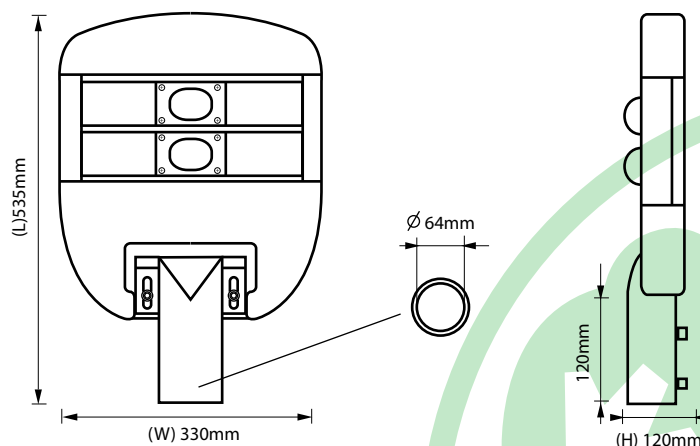
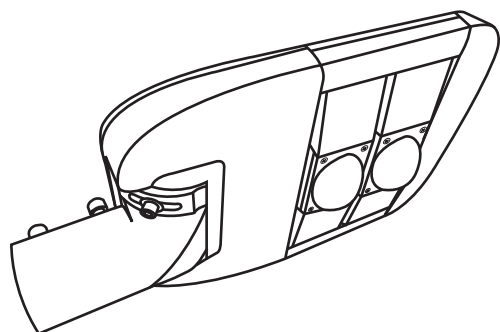
ORDERING INFORMATION Lead times will vary based on options selected. Consult with your sales representative.
Example: STLA0080903

Type	Fitting Type	LED Module	Wattage	CCTK
Streetlight STLA	008 Fitting	(Blank) Philip PLM A Hi-Beam PLM	090 72w	3 3000K
			120 110w	4 4000K
			150 144w	5 5700K
			180 180w	
			210 216w	
			240 252w	
			290 288w	

LINE DRAWING

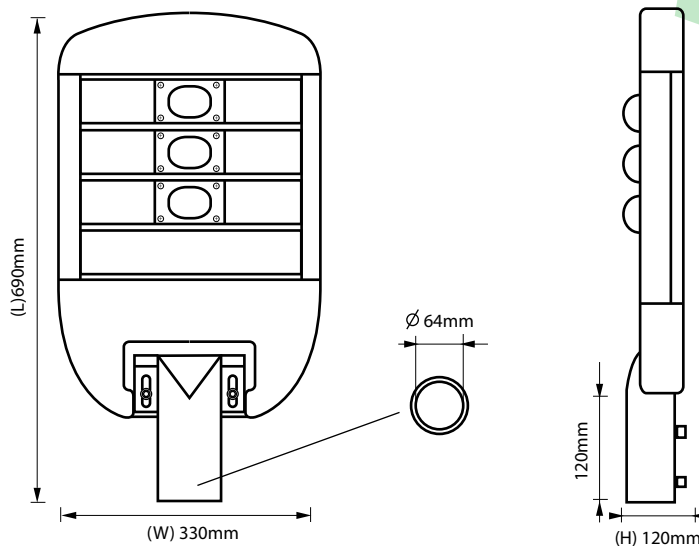
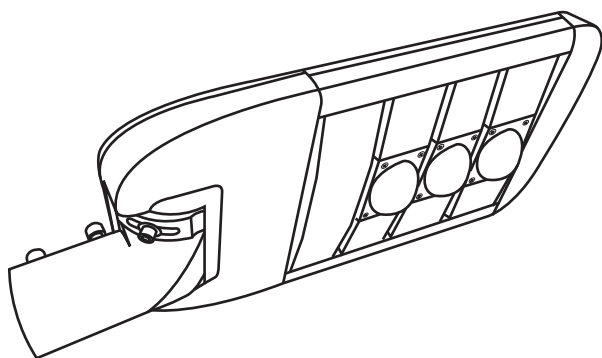
DIMENSIONS

STLA008090



Weight : 7.34kg

STLA008120



Weight : 7.69kg

Powered by:

PHILIPS

Specifications and dimension subject to change without notice

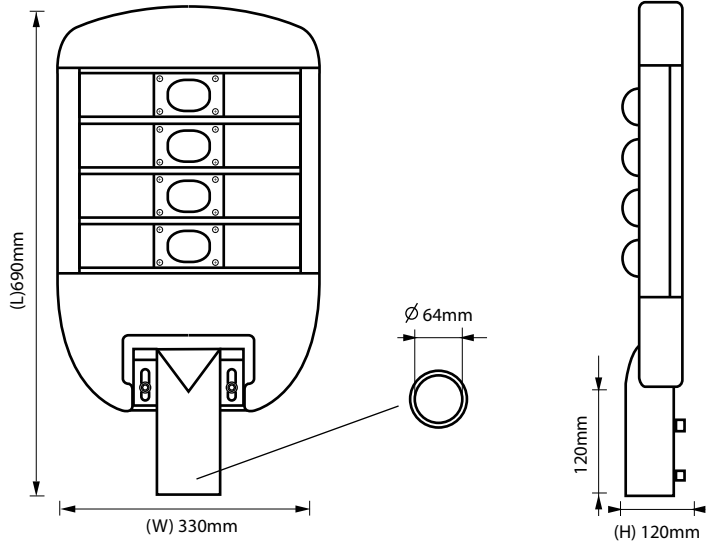
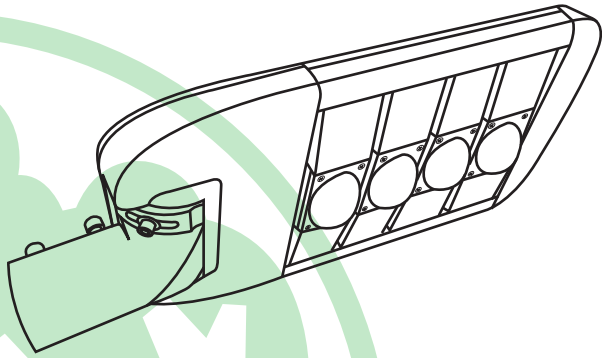


HBL[®]
HI-BEAM™ Lighting

LINE DRAWING

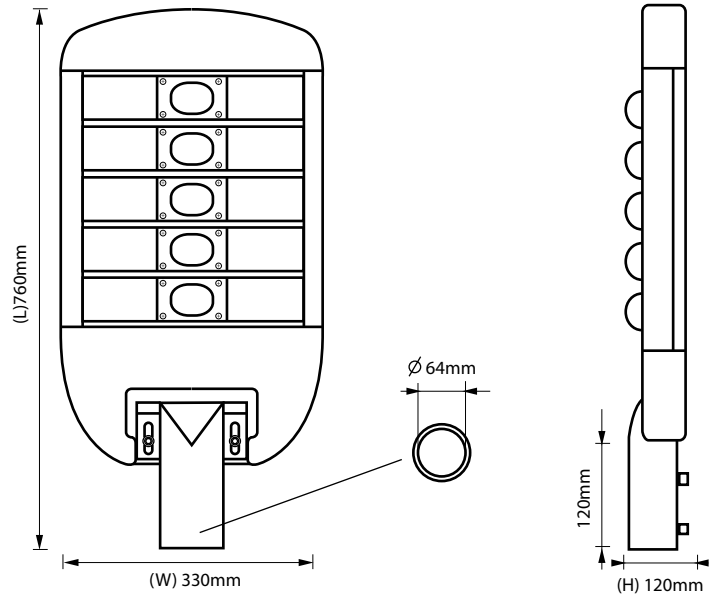
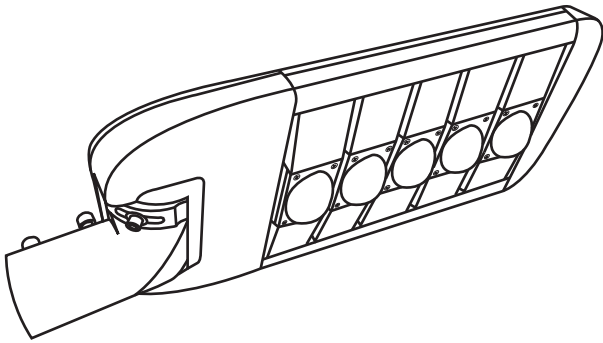
DIMENSIONS

STLA008150



Weight : 8.24kg

STLA008180

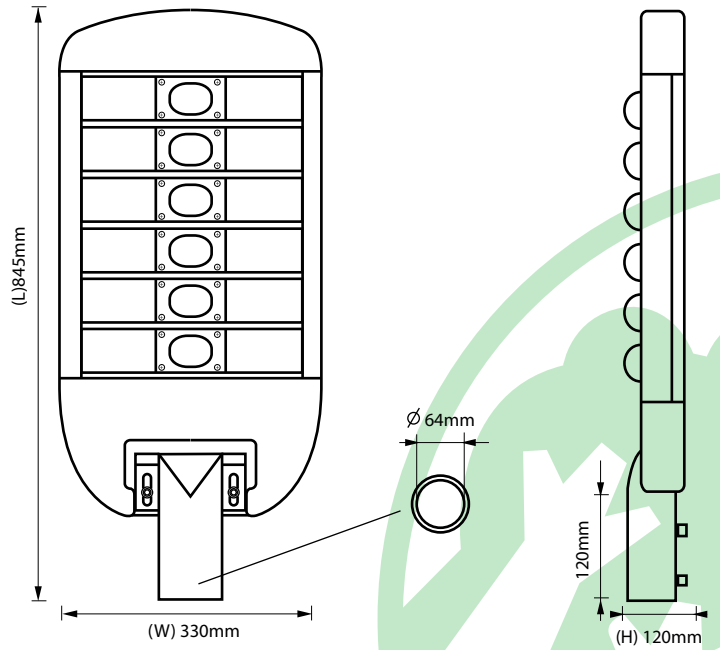
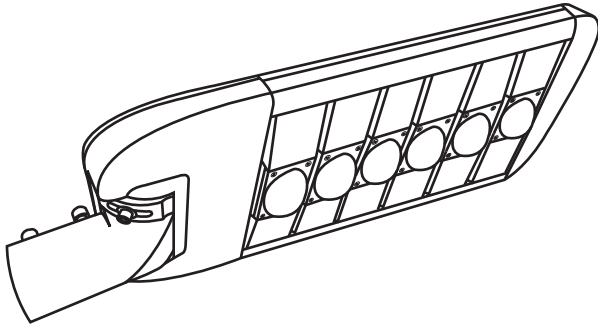


Weight: 9.11kg

LINE DRAWING

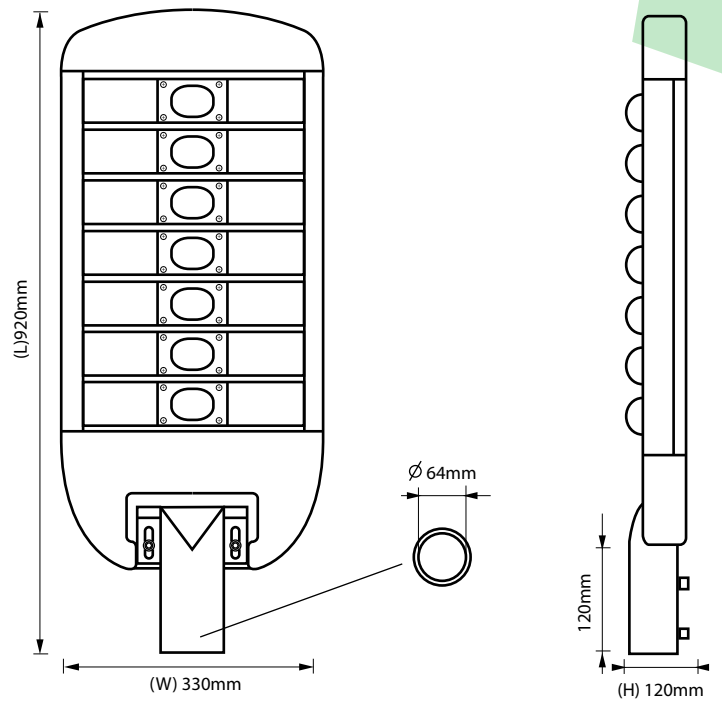
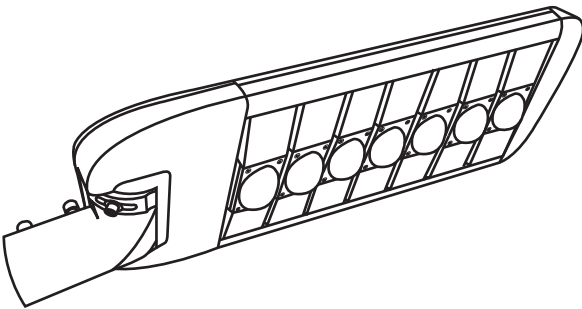
DIMENSIONS

STLA008210



Weight: 10.25kg

STLA008240



Weight: 11.12kg

Powered by:

PHILIPS

Specifications and dimension subject to change without notice

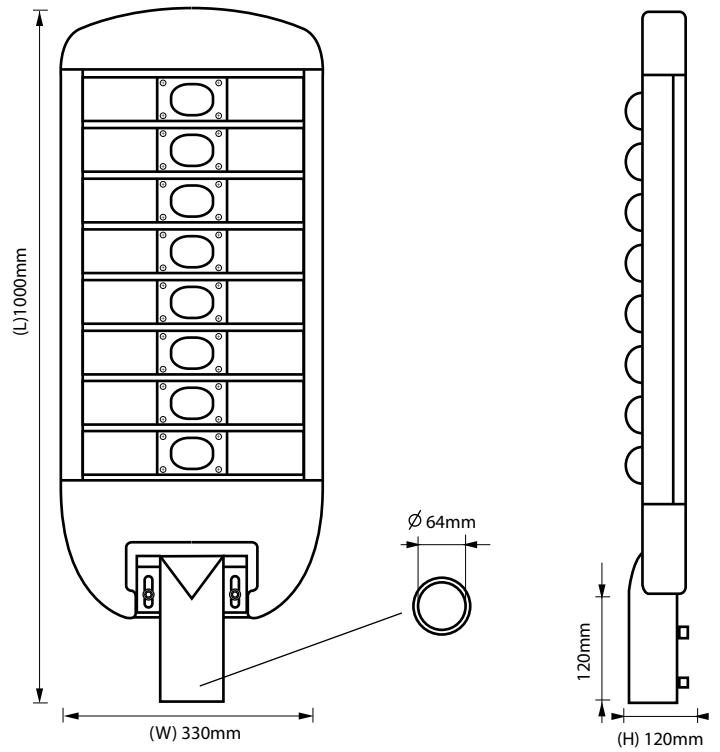
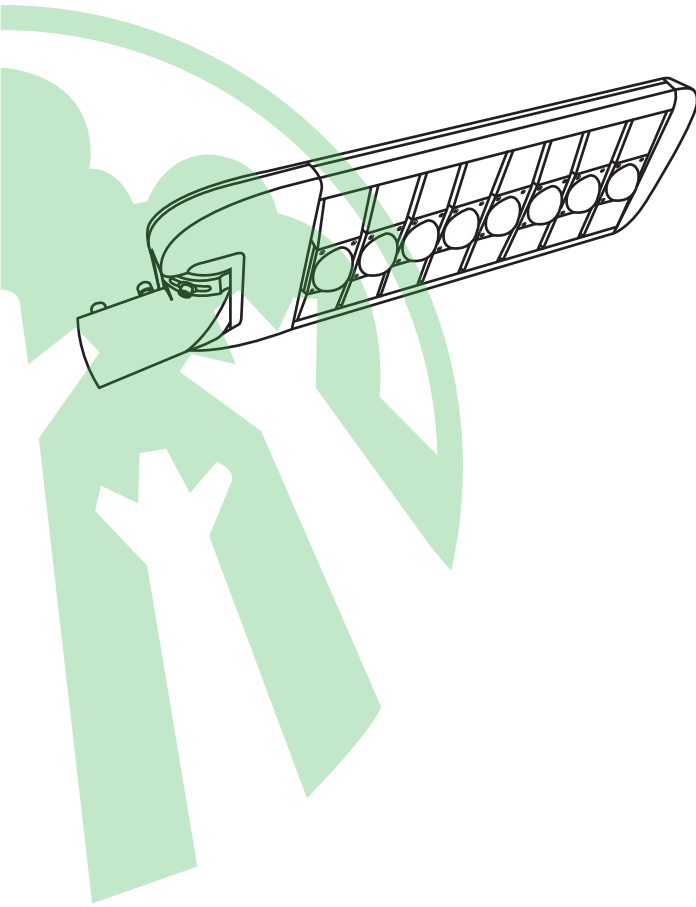


HBL®
HI-BEAM™ Lighting

LINE DRAWING

DIMENSIONS

STLA008280



Weight: 11.85kg