

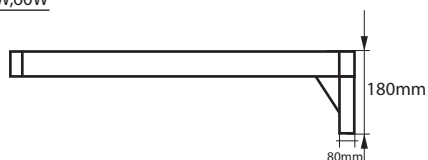


Solar Streetlight FL3 PD Series

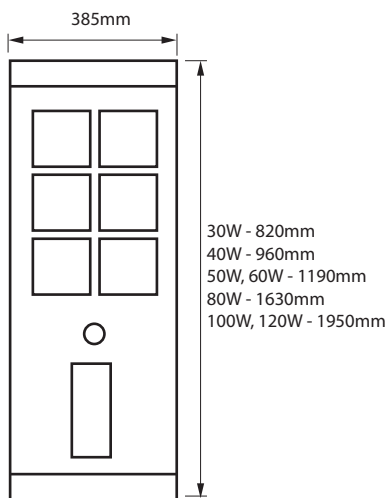
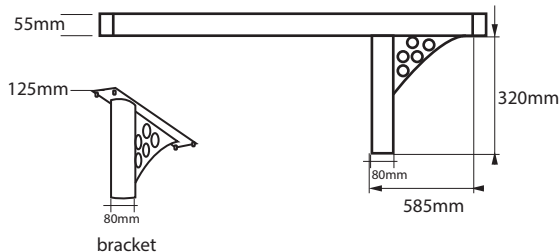


DIMENSIONS

30W,40W,50W,60W



80W,100W,120W



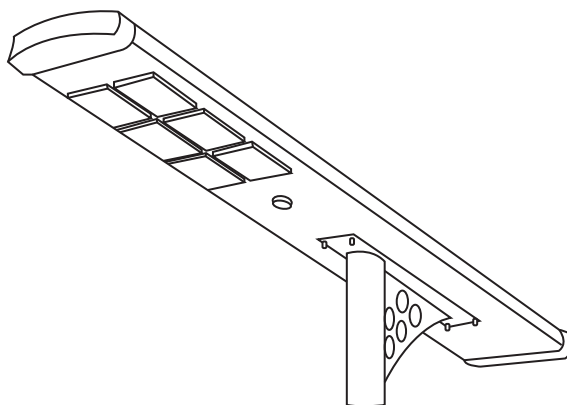
INTENDED USE

Innovative all in one design, concentrating on the core components and microwave sensors of the solar streetlights, which create the extreme simple solar road application. It combine high efficiency led light, solar panel, MPPT controller, motion sensor(microwave sensor) and high capacity lithium battery, all of them are put into a compact housing. Ideal for compound, parking areas, street lighting or walkways.

CONSTRUCTION AND OPTICS

Humanize intelligent remote control technology which has multi-working modes (working mode can be customized). Per light can be equipped with a hand-held remote, easily switched from 4 working modes, more convenient for resell. Replacing the PIR sensor in detecting moving object, detection distance is up to 15 meters. Protection class IP 65, safe and reliable. Quality aluminium alloy main structure with excellent anti-rust and ant-corrosion funtion. 15w,20w, 30w, 40w, 50w, 60w, 80w, 100w and 120w is available.

LINE DRAWING



PRODUCT SPECIFICATION

Product Code	Model Code	System Power (W)	Lumens (lm)	Solar Panel	Lithium Battery	CCTK	Mounting Height (m)	Installation Distance (m)	Packaging Details
STLSFL3-030	FL3-030	30W	3400lm	50W-18V	27AH 12.8V	4000K 5700K	5-6m	17-21m	Qty: 1pcs/ctn G.W:12.5kg/ctn Ctn size:930x480x230mm
STLSFL3-040	FL3-040	40W	3740lm	65W-18V	28AH 12.8V	4000K 5700K	6-7m	21-24m	Qty: 1pcs/ctn G.W:12.5kg/ctn Ctn size:1070x480x230mm
STLSFL3-050	FL3-050	50W	5100lm	70W-18V	36AH 12.8V	4000K 5700K	7-8m	24-28m	Qty: 1pcs/ctn G.W:16.7kg/ctn Ctn size:1290x480x230mm
STLSFL3-060	FL3-060	60W	6460lm	80W-18V	42AH 12.8V	4000K 5700K	7-8m	24-31m	Qty: 1pcs/ctn G.W:17kg/ctn Ctn size:1290x480x230mm
STLSFL3-080	FL3-080	80W	9010lm	100W-18V	57AH 12.8V	4000K 5700K	8-9m	28-31m	Lamp: 1720x490x140mm, G.W:20kg/ctn Bracket: 430x360x160mm, G.W:2.9kg/ctn
STLSFL3-100	FL3-100	100W	10710lm	130W-18V	63AH 12.8V	4000K 5700K	9-10m	31-34m	Lamp: 2040x490x140mm, G.W:40kg/ctn Bracket: 430x360x160mm, G.W:2.9kg/ctn
STLSFL3-120	FL3-120	120W	12000lm	140W-18V	72AH 12.8V	4000K 5700K	10-12m	34-41m	Lamp: 2040x490x140mm, G.W:40kg/ctn Bracket: 430x360x160mm, G.W:2.9kg/ctn
STLSFL3-120	FL3-120	120W	12000lm	140W-18V	90AH 12.8v	4000K 5700K	10-12m	34-41m	Lamp: 2040x490x140mm, G.W:40kg/ctn Bracket: 430x360x160mm, G.W:2.9kg/ctn
STLSFL3-120	FL3-120	120W	12000lm	140W-18V	96AH 12.8v	4000K 5700K	10-12m	34-41m	Lamp: 2040x490x140mm, G.W:40kg/ctn Bracket: 430x360x160mm, G.W:2.9kg/ctn

JKR Spec AIO: Preset Dimming 4hrs (100%), 2hrs (60%) and 6hrs (40%)

Product Code	Model Code	System Power (W)	Lumens (lm)	Mono Solar Panel	LifePO4 Battery	CCTK	Mounting Height (m)	Installation Distance (m)	Dimension Type	Packaging Details	Weight KG
STLSFL3-040	FL3-040	40W	6400lm	80W-18V	538WH	2700K-6500K	6-8m	20-25m	C	2 packages: 1pc lamp percarton + 1pc battery pack percarton	18.0
STLSFL3-060	FL3-060	60W	9600lm	100W-18V	730WH	2700K-6500K	8-9m	25-30m	D	2 packages: 1pc lamp percarton + 1pc battery pack percarton	19.8
STLSFL3-080	FL3-080	80W	12800lm	140W-18V	922WH	2700K-6500K	10-12m	35-40m	E	2 packages: 1pc lamp percarton + 1pc battery pack percarton	20.3
STLSFL3-080	FL3-080	80W	12800lm	140W-18V	1152WH	2700K-6500K	10-12m	35-40m	E	2 packages: 1pc lamp percarton + 1pc battery pack percarton	20.3
STLSFL3-080	FL3-080	80W	12800lm	140W-18V	1229WH	2700K-6500K	10-12m	35-40m	E	2 packages: 1pc lamp percarton + 1pc battery pack percarton	20.3

Mounting Option

