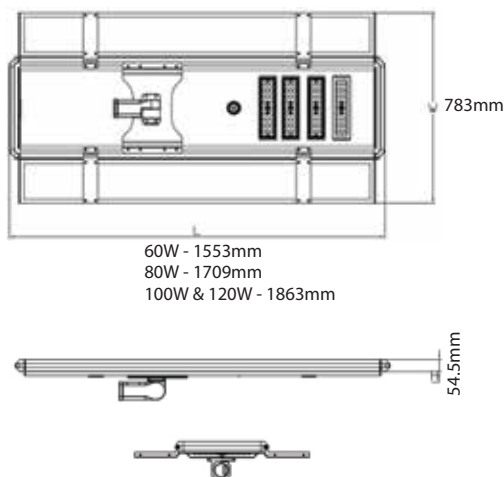




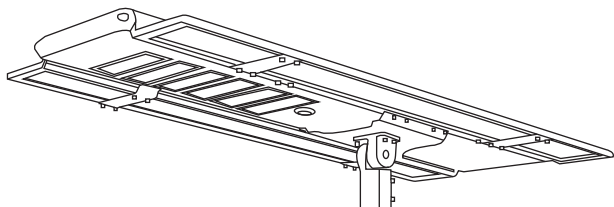
Solar Streetlight FL3X2



DIMENSIONS



LINE DRAWING



INTENDED USE

Designed by a professional industrial design team, integrating solar panels, led sources, controller, battery, human body induction, and housing. Intelligent power adjustment, automatic weather judgment, reasonable planning of discharge rules. Intelligent charging and discharging management, soft and hard double protection of charging and discharging and intelligent equalization technology, battery cycles more than 2000 times. Widely used in branch roads, streets, and factory roads, parks, villages, mountainous and remote areas, lighting projects, courtyards, schools, squares and other places that require outdoor lighting, helping domestic traditional lighting to upgrade to LED green new energy lighting replace.

CONSTRUCTION AND OPTICS

Smart remote control, equipped with drone remote control, ultra-long remote control distance of 30 meters, can pass through obstacles, and can set four lighting modes at will. High-efficiency LED chips can reach 220LM/W, which is more than twice the average brightness of ordinary LED light sources, with a luminous angle of 140 degrees, and a wider irradiation area. Lamp material with aluminium alloy with anodic oxidation treatment, will never rust. The whole lamp adopts modular minimalist design, easy disassembly, installation, and transportation. Working temperature is -25 °C~ + 65 °C. Protection class IP65 and IK10, safe and reliable.

PRODUCT SPECIFICATION

JKR Spec AIO: Preset Dimming 4hrs (100%), 2hrs (60%) and 6hrs (40%)

Product Code	Model Code	System Power (W)	Lumens (lm)	Mono Solar Panel	LifePO4 Battery	CCTK	Mounting Height (m)	Weight kg
STLSFL3X2-060	FL3-060	60W	9600lm	180W-36V	1140WH	3000K-6000K	4-6m	44
STLSFL3X2-080	FL3-080	80W	12800lm	200W-36V	1520WH	3000K-6000K	6-8m	48
STLSFL3X2-100	FL3-100	100W	16000lm	225W-36V	1900WH	3000K-6000K	8-10m	54
STLSFL3X2-120	FL3-120	120W	19200lm	225W-36V	2280WH	3000K-6000K	10-12m	62