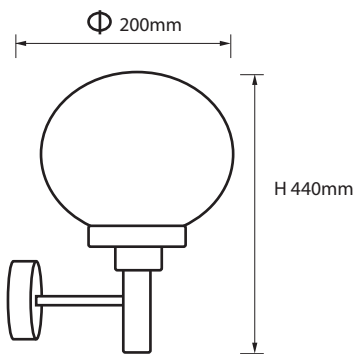




# LED Globe Wall Light WG001



## DIMENSIONS



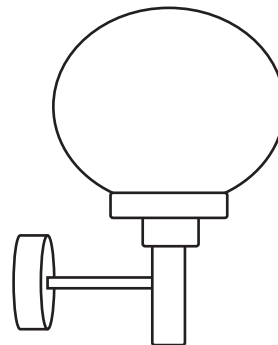
## INTENDED USE

Hi-BEAM WG001 LED wall light deliver excellent led performance for applications such as building facade, passage ways, villa, hotels, house or corridors to replace conventional traditional PLC / CDMT solutions.

## CONSTRUCTION AND OPTICS

LED lifespan of 35,000 hours. Input voltage is AC210-280VAC, 50/60Hz and IK08.

## LINE DRAWING



## DIMENSION OF FITTING

Product Code	Model Code	Wattage	Lumens	Color Temperature
WG001-12	WG001	12W	900lm	3000-4000K



## LED GLOBE WALL MOUNTED LIGHT - (12W)

Hi-BEAM WG001 LED wall light deliver excellent led performance for applications such as building facade, passage ways, villa, hotels, house or corridors to replace conventional traditional PLC / CDMT solutions.



### Product data

#### General Information

Product family code	WG001 (WG001-12)
Housing Material	Diecasting aluminum Housing with opal diffuser
Housing Color	Black
IP	IP65/IK 07
LED Life Span	35,000 hrs
Operating Temperature	-5C to +50C
Classification	Class 1
Power Supply	210VAC-280VAC 50/60 Hz

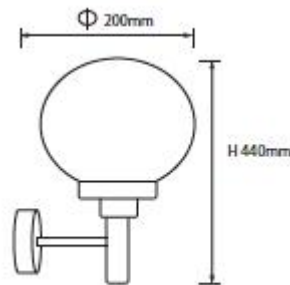
#### Include :

- 1 X E27 Holder
- 1 X Philips / Osram LED Bulb

CCTK	3000-4000K
Initial Input Power	10W
Total Luminous Flux	850m
CRI	75
Power Factor	> 0.95

#### Dimension

Dimension: (Dia)200mm, (H) 440mm



Note: Specification are subject to change without prior notice

[www.degindustrial.com](http://www.degindustrial.com)



HI-BEAM™ Lighting

