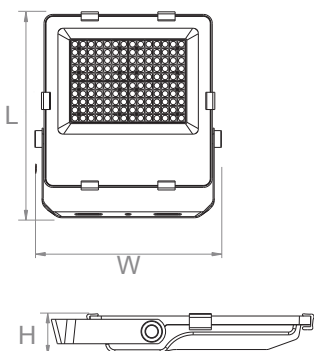




# Jupiter RC Floodlight



## DIMENSIONS



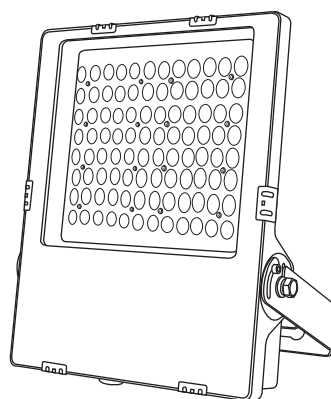
## INTENDED USE

Jupiter RC Floodlight delivers high lumen efficacy up to 150 LM/W and long lifetime. Available in various power fitted with efficient LEDs. Our LED Flood Lights offer the users not only superior quality of lighting exteriors, but also a supreme reliability. With the optical lens and uniform photometric distribution, this LED lighting series achieves high optical efficiency. Ideal for outdoor flood lighting applications, such as wall mounted around building facades, buildings as well as lighting gardens, paths near to building, garages and entrance ways.

## CONSTRUCTION AND OPTICS

Die cast aluminium finished with robust aluminum housing with safety tempered glass cover. High protection rating IP66. High impact resistance of IK08. Suitable for operation in ambient temperature of  $-5^{\circ}\text{C}$  to  $+50^{\circ}\text{C}$ . Static built-in driver. Lifespan of 40,000 hours. CRI >70.

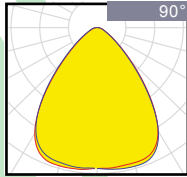
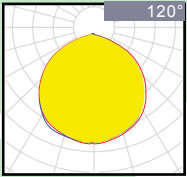
## LINE DRAWING



## PRODUCT SPECIFICATION

Product Code	Model Code	Wattage	Lumens	Color Temperature	L mm	W mm	H mm	Weight kg
JUPC100W-RC	JUP100	100W	15000lm	3000K, 4000K, 5700K	354	319	53	2.90
JUPC150W-RC	JUP150	150W	22500lm	3000K, 4000K, 5700K	400	359	63	3.80
JUPC200W-RC	JUP200	240W	35000lm	3000K, 4000K, 5700K	430	389	63	4.50

Photometric :



HI-BEAM™ Lighting



Specifications and dimension subject to change without notice  
[www.degindustrial.com](http://www.degindustrial.com)



# JUPITER RC

## JUPITER RC 200W LED FLOODLIGHT

The sleek and compact design of the Jupiter Floodlights is made possible with the embedment of high performance LED technology. They are ideal for landscape, signage, facade, industrial and general area lighting in many commercial and residential applications..



### Product data

#### General Information

Product family code	JUP200 (JUPC200W-RC)
Housing Material	Diecasting Aluminium Finished with Outdoor Epoxy Power Coating
Optical Cover	Tempered glass
Housing Color	Black

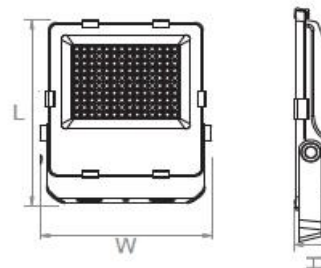
Color Temperature	3000-4000K
CRI	80 Standard
Beam	120' Ingress
Protection	IP66
Mech. Impact Protect	IK08
LED Life Span	40,000 hrs

Operating Temperature	-5c to +50c
Classification	Class 1
Power Supply	210VAC-280VAC 50/60 Hz
Power Factor	> 0.95

Initial Input Power	240W
Lumens Output	35,000lm

#### Dimension

Dimension	L=430 x W=389 x H=63mm
Weight	4.50kg+-



Note: Specification are subject to change without prior notice  
[www.degindustrial.com](http://www.degindustrial.com)



HI-BEAM™ Lighting

